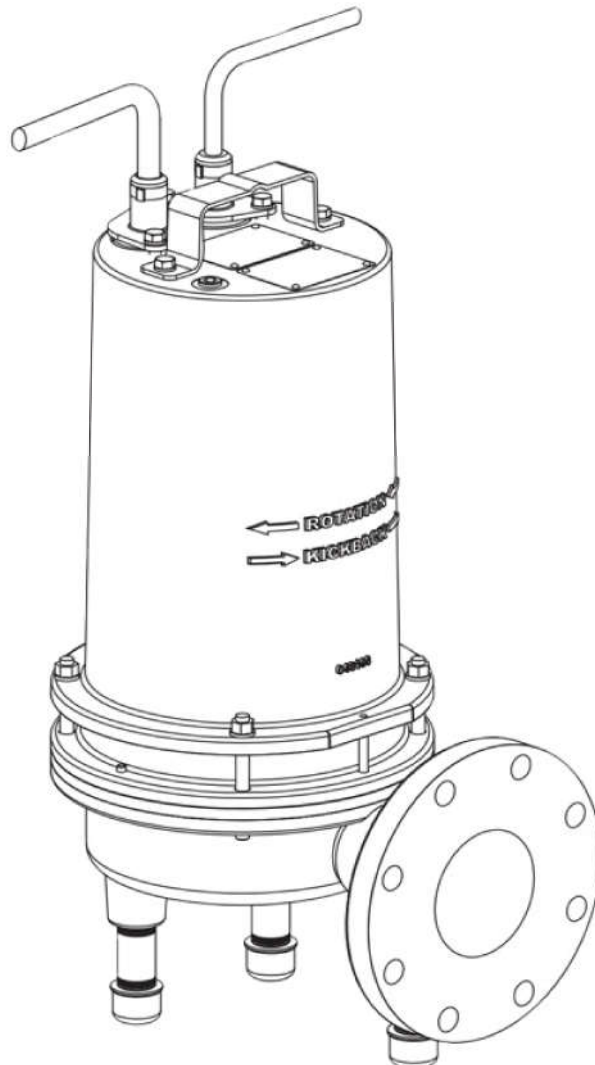


4SE-L – 5 HP

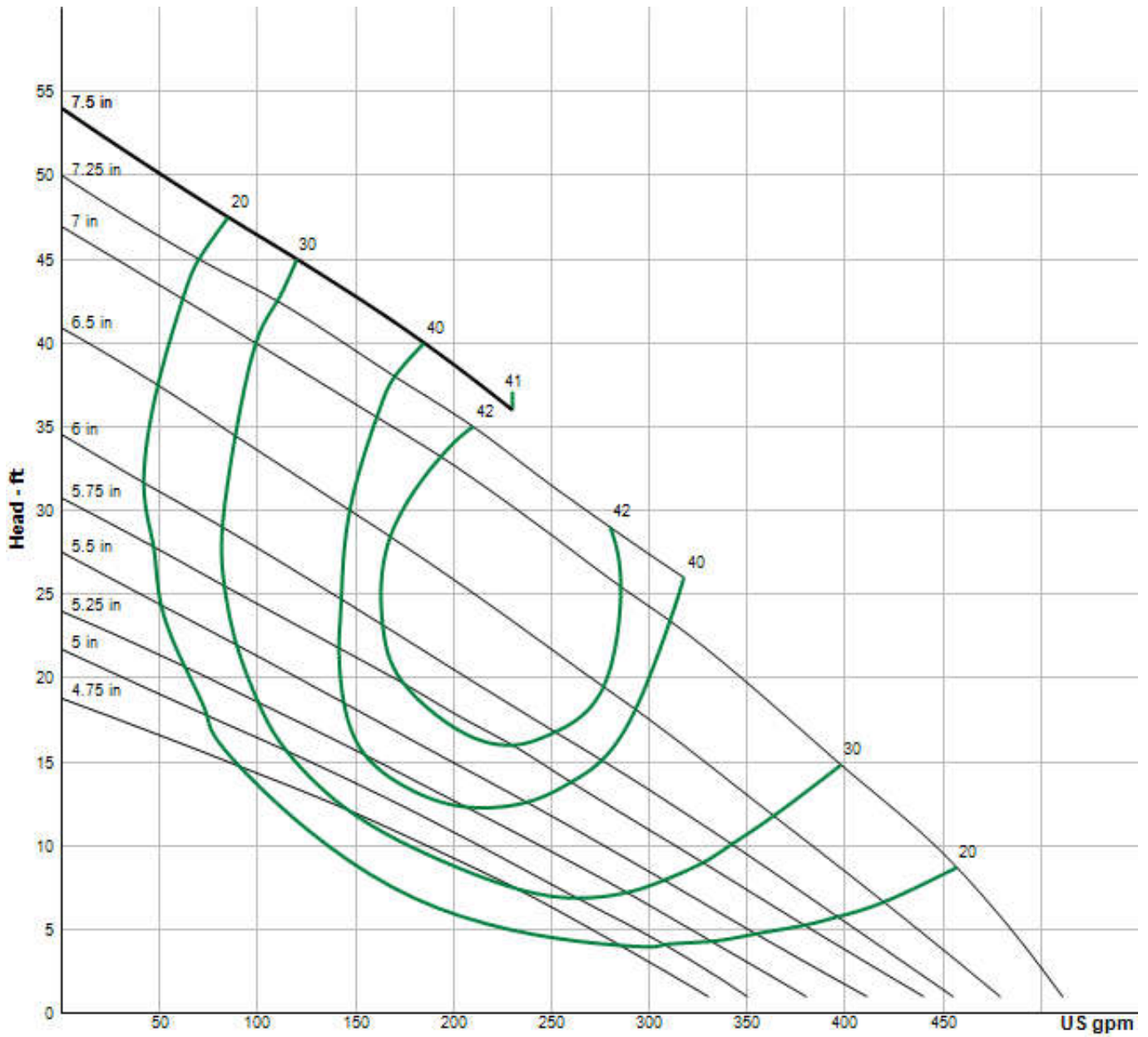
3" Spherical Solids Handling



Specifications

DISCHARGE:	4" 125lb., Horizontal flange
SPEED:	1750 RPM
IMPELLER:	Design: 2 Vane, semi-open with pump out vanes on back side, dynamically balanced, ISO G6.3 Material: Cast iron ASTM A-48, class 30
CORD ENTRY:	30 ft. (9.1 m) Cord. Quick connect custom molded for sealing and strain relief
MOTOR:	Design: NEMA L- single phase, NEMA B - three phase torque curve, oil filled, squirrel cage induction Winding: Class B, class H rated magnet wire, class F on selected models Service Factor: 1.15
SEAL	Design: Double mechanical, oil filled pressure equalized reservoir Material: Carbon/Ceramic/Buna-N
LIQUID TEMPERATURE:	104°F (40°C) Continuous
VOLUTE:	Cast iron ASTM A-48, class 30
MOTOR HOUSING	Cast iron ASTM A-48, class 30
SEAL PLATE:	Cast iron ASTM A-48, class 30
SHAFT:	416 Stainless steel
SQUARE RINGS:	Buna-N
HARDWARE:	300 Series stainless steel
PAINT:	Air dry enamel (epoxy optional)
UPPER BEARING:	Upper Bearing: <ul style="list-style-type: none"> • Design: Single row, ball, oil lubricated • Load: Radial Lower Bearing: <ul style="list-style-type: none"> • Design: Single row, ball, oil lubricated • Load: Radial
DIAPHRAGM	Buna-N
SINGLE PHASE	Permanent Split Capacitor (PSC) includes overload protection in motor
THREE PHASE	200-240/480 is Tri Voltage motor. 600V Requires Overload Protection to be included in Control Panel
MOISTURE SENSOR	Normally open (N/O), requires relay in control panel
TEMPERATURE SENSOR:	Normally Closed (N/C), Requires relay in control panel. For three phase units ONLY

Curves

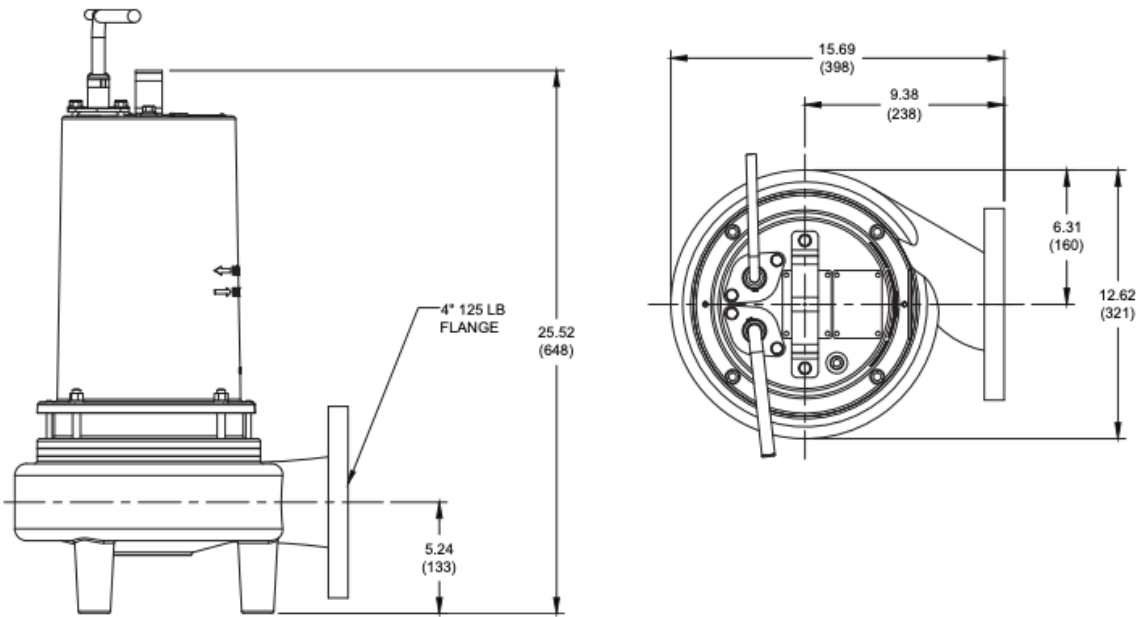



Pump HP	Impeller Dia in. (mm)
2.8	6.00 (152)
3.7	6.50 (165)
5.0	7.00 (178)

Model Information

PUMP MODEL NUMBER	4SE5024L	4SE5094L	4SE5044L	4SE5054L
PART NUMBER	133149	133150	133151	133152
HP	5	5	5	5
VOLTAGE/PHASE	230/1	200-230/3	460/3	575/3
HZ	60	60	60	60
RPM (NOMINAL)	1750	1750	1750	1750
NEMA START CODE	A	B/D	D	E
INSULATION CLASS	F	F	F	B
FULL LOAD AMPS	28	20.9/19.0	9	8.3
LOCKED ROTOR AMPS	59	48.6/56.0	28	23
CORD SIZE	10/3	10/4	14/4	14/4
CORD TYPE	SOOW/SOW	SOOW/SOW	SOOW/SOW	SOOW/SOW
CORD O.D INCH (MM)	.66 (16.8)	.72 (18.5)	.57 (14.5)	.57 (14.5)

Drawing



 All dimensions are in inches (mm)